

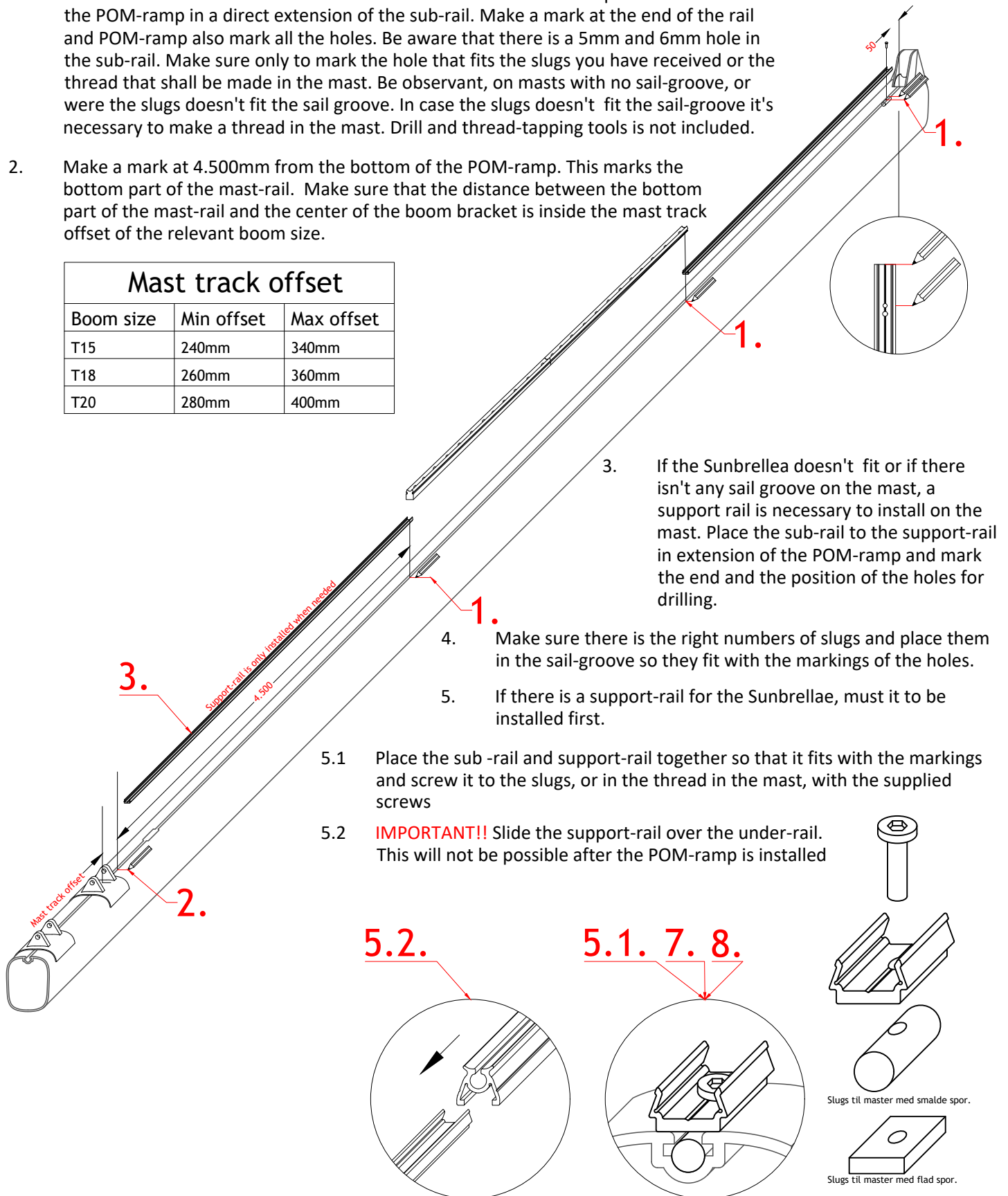
FURLERBOOM

Furlerboom mast track #1 Guide to install.

The installation must take place while the mast is placed- horizontal

1. Place the sub-rail on the mast with a 50mm distance to from the top of the mast. Place the POM-ramp in a direct extension of the sub-rail. Make a mark at the end of the rail and POM-ramp also mark all the holes. Be aware that there is a 5mm and 6mm hole in the sub-rail. Make sure only to mark the hole that fits the slugs you have received or the thread that shall be made in the mast. Be observant, on masts with no sail-groove, or were the slugs doesn't fit the sail groove. In case the slugs doesn't fit the sail-groove it's necessary to make a thread in the mast. Drill and thread-tapping tools is not included.
2. Make a mark at 4.500mm from the bottom of the POM-ramp. This marks the bottom part of the mast-rail. Make sure that the distance between the bottom part of the mast-rail and the center of the boom bracket is inside the mast track offset of the relevant boom size.

Mast track offset		
Boom size	Min offset	Max offset
T15	240mm	340mm
T18	260mm	360mm
T20	280mm	400mm

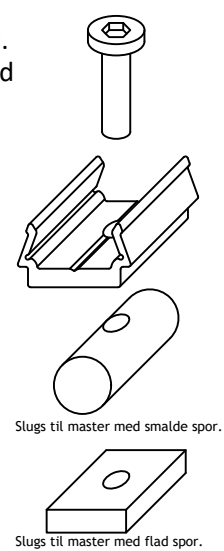


3. If the Sunbrella doesn't fit or if there isn't any sail groove on the mast, a support rail is necessary to install on the mast. Place the sub-rail to the support-rail in extension of the POM-ramp and mark the end and the position of the holes for drilling.

4. Make sure there is the right numbers of slugs and place them in the sail-groove so they fit with the markings of the holes.
5. If there is a support-rail for the Sunbrella, must it to be installed first.

- 5.1 Place the sub -rail and support-rail together so that it fits with the markings and screw it to the slugs, or in the thread in the mast, with the supplied screws

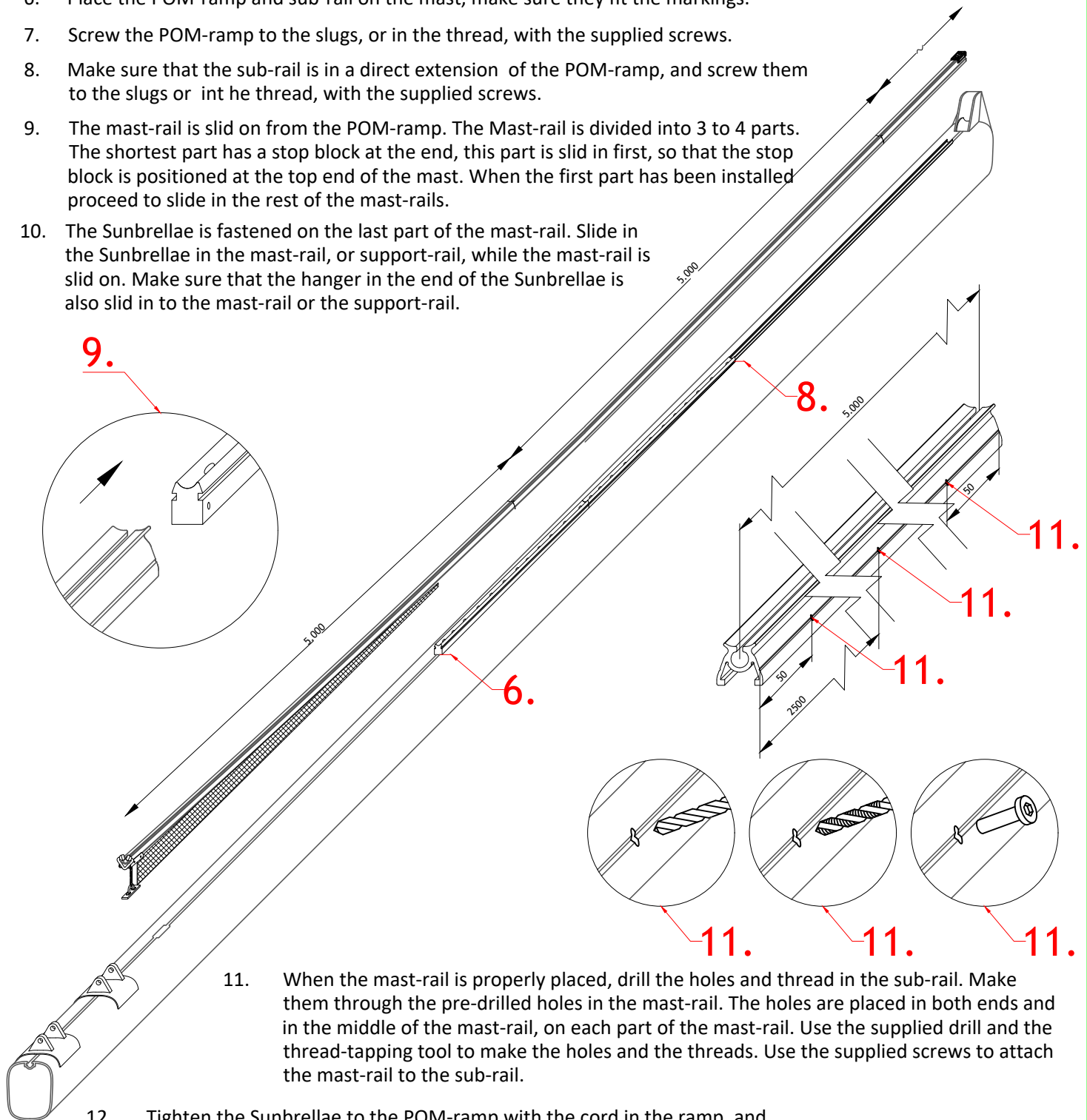
- 5.2 **IMPORTANT!!** Slide the support-rail over the under-rail. This will not be possible after the POM-ramp is installed



FURLERBOOM

Furlerboom mast track #1 Guide to install.

- Place the POM-ramp and sub-rail on the mast, make sure they fit the markings.
- Screw the POM-ramp to the slugs, or in the thread, with the supplied screws.
- Make sure that the sub-rail is in a direct extension of the POM-ramp, and screw them to the slugs or in the thread, with the supplied screws.
- The mast-rail is slid on from the POM-ramp. The Mast-rail is divided into 3 to 4 parts. The shortest part has a stop block at the end, this part is slid in first, so that the stop block is positioned at the top end of the mast. When the first part has been installed proceed to slide in the rest of the mast-rails.
- The Sunbrellae is fastened on the last part of the mast-rail. Slide in the Sunbrellae in the mast-rail, or support-rail, while the mast-rail is slid on. Make sure that the hanger in the end of the Sunbrellae is also slid in to the mast-rail or the support-rail.



- When the mast-rail is properly placed, drill the holes and thread in the sub-rail. Make them through the pre-drilled holes in the mast-rail. The holes are placed in both ends and in the middle of the mast-rail, on each part of the mast-rail. Use the supplied drill and the thread-tapping tool to make the holes and the threads. Use the supplied screws to attach the mast-rail to the sub-rail.

- Tighten the Sunbrellae to the POM-ramp with the cord in the ramp, and tighten the slugs in the other end to ensure that the Sunbrellae is properly secured.
- The mast-rail is now installed.

If problems occurs during the installation, Furlerboom can be contacted for further assistance.